

794318-1 ✓ ACTIVE

## AMP-DUAC

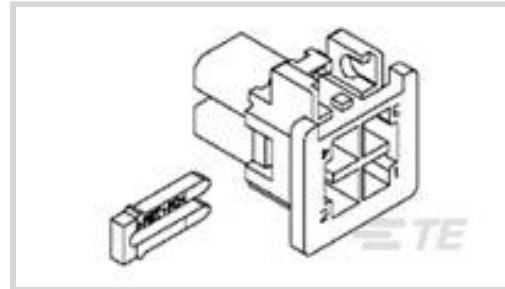
TE Internal #: 794318-1

Rectangular Power Connectors, Housing, Receptacle, Wire-to-Board, 4 Position, 4.2 mm [.165 in] Centerline, Printed Circuit Board, UL 94V-0, AMP-DUAC

[View on TE.com >](#)



[Connectors](#) > [Power Connectors](#) > [Rectangular Power](#) > [Rectangular Power Connectors](#)



Rectangular Power Connector Type: **Housing**

Connector & Housing Type: **Receptacle**

Connector System: **Wire-to-Board**

Number of Positions: **4**

Centerline (Pitch): **4.2 mm [.165 in]**

### Features

#### Product Type Features

Rectangular Power Connector Type	Housing
Connector & Housing Type	Receptacle
Connector System	Wire-to-Board
Sealable	No
Connector & Contact Terminates To	Printed Circuit Board

#### Configuration Features

Number of Positions	4
Number of Rows	2

#### Electrical Characteristics

Operating Voltage	250 VAC, 600 VAC
-------------------	------------------

#### Contact Features

Contact Retention Within Housing	Without
Contact Type	Receptacle

#### Termination Features

Termination Method to Wire & Cable	Crimp
------------------------------------	-------

#### Mechanical Attachment

Connector Mounting Type	Cable Mount (Free-Hanging)
-------------------------	----------------------------



### Housing Features

Centerline (Pitch)	4.2 mm [.165 in]
Housing Color	Natural
Housing Material	PBT

### Dimensions

Row-to-Row Spacing	5.5 mm [.216 in]
Height	15.1 mm
Width	15.86 mm
Length	19.6 mm

### Usage Conditions

Operating Temperature Range	-55 – 105 °C [-67 – 221 °F]
Insertion Force	3.25 Newton

### Operation/Application

Circuit Application	Power & Signal
---------------------	----------------

### Industry Standards

UL Flammability Rating	UL 94V-0
Glow Wire Rating	Standard Part - Not Glow Wire
VDE Tested	Yes
Agency/Standard	CSA

### Packaging Features

Packaging Method	Package
Packaging Quantity	1

### Product Compliance

[For compliance documentation, visit the product page on TE.com>](#)

EU RoHS Directive 2011/65/EU	Compliant
EU ELV Directive 2000/53/EC	Compliant
China RoHS 2 Directive MIIT Order No 32, 2016	No Restricted Materials Above Threshold
EU REACH Regulation (EC) No. 1907/2006	Current ECHA Candidate List: JUNE 2022 (224) Candidate List Declared Against: JAN 2021 (211) Does not contain REACH SVHC
Halogen Content	Low Halogen - Br, Cl, F, I < 900 ppm per

homogenous material. Also BFR/CFR/PVC Free

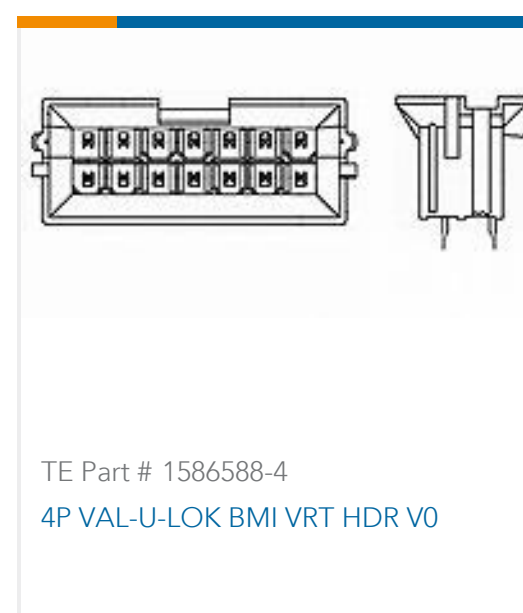
Solder Process Capability

Wave solder capable to 265°C

#### Product Compliance Disclaimer

This information is provided based on reasonable inquiry of our suppliers and represents our current actual knowledge based on the information they provided. This information is subject to change. The part numbers that TE has identified as EU RoHS compliant have a maximum concentration of 0.1% by weight in homogenous materials for lead, hexavalent chromium, mercury, PBB, PBDE, DBP, BBP, DEHP, DIBP, and 0.01% for cadmium, or qualify for an exemption to these limits as defined in the Annexes of Directive 2011/65/EU (RoHS2). Finished electrical and electronic equipment products will be CE marked as required by Directive 2011/65/EU. Components may not be CE marked. Additionally, the part numbers that TE has identified as EU ELV compliant have a maximum concentration of 0.1% by weight in homogenous materials for lead, hexavalent chromium, and mercury, and 0.01% for cadmium, or qualify for an exemption to these limits as defined in the Annexes of Directive 2000/53/EC (ELV). Regarding the REACH Regulation, the information TE provides on SVHC in articles for this part number is based on the latest European Chemicals Agency (ECHA) 'Guidance on requirements for substances in articles' posted at this URL: <https://echa.europa.eu/guidance-documents/guidance-on-reach>

## Compatible Parts



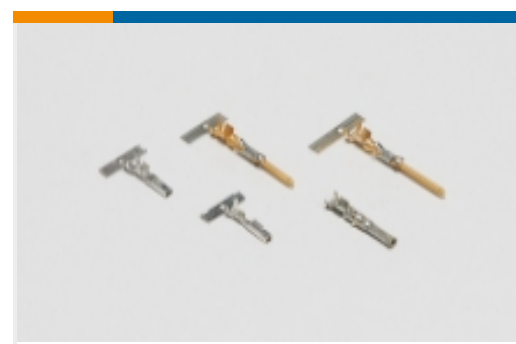
Also in the Series | **AMP-DUAC**



Busbar Connector Contacts(1)



Insertion &amp; Extraction Tools(1)



Power Contacts(3)



Rectangular Boots &amp; Strain Relief(1)



Rectangular Connector Keying Plugs(1)



Rectangular Connector Locking(1)



Rectangular Power Connectors(6)

## Documents

### Product Drawings

[AMP DUAC/PL 04P KIT BULK PKG](#)

English

### Datasheets & Catalog Pages

[POWER\\_CONNECTORS\\_CATALOG\\_SEC02\\_CABLE\\_MOUNTED](#)

English

### Product Specifications

[Application Specification](#)

English

[AMP-DUAC/PL \(Position Lock\) Connectors](#)

English

[Application Specification](#)

English